

EZ Mount 1

medium- to heavy-capacity mount assembly

- Tanks
- Bins
- Hoppers

RICE LAKE WEIGHING SYSTEMS
Industrial Solutions on a Global Scale®

EZ Mount 1

heavy- to medium-capacity tank and hopper mount assembly



The EZ Mount 1 Series weigh module is designed to provide superior performance in a wide range of process control and vessel weighing applications, including batching, blending and bulk inventory management. Each assembly features a temperature-compensating and self-checking sliding pin design, making it ideal for indoor or outdoor applications.

The EZ Mount 1 is easy to install and can be bolted directly to the vessel and foundation. It is available with mild steel or stainless steel construction in capacities from 5000 lbs to 250,000 lbs.

For a complete solution, kits that include load cells, mounting assemblies, a junction box and cable are available. These kits provide everything needed to convert any weight into a readable, formattable electronic signal.

To complete your system, Rice Lake Weighing Systems also offers digital indicators and controllers for setpoint filling, batching and unloading.

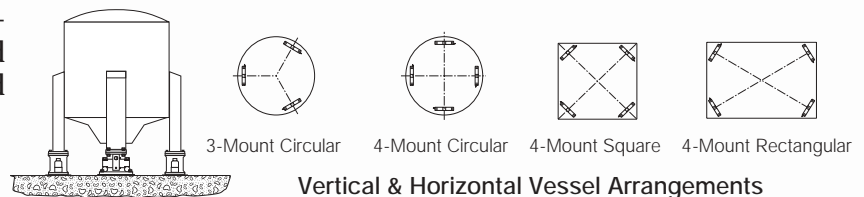
Standard Features

- Capacities per assembly: 5000 lb – 250,000 lb
- RL70000 NTEP certified, FM approved load cells in capacities from 5000 to 200,000 lb for enhanced performance
- Unique sliding pin design compensates for thermal expansion/contraction
- Self-checking in all directions, including lift-off protection, eliminates external hardware
- Easy load cell removal minimizes maintenance costs
- Low-profile, bolt-in-place design allows mounting directly to tank and floor
- Two-part epoxy-painted mild steel construction stands up to a variety of environments

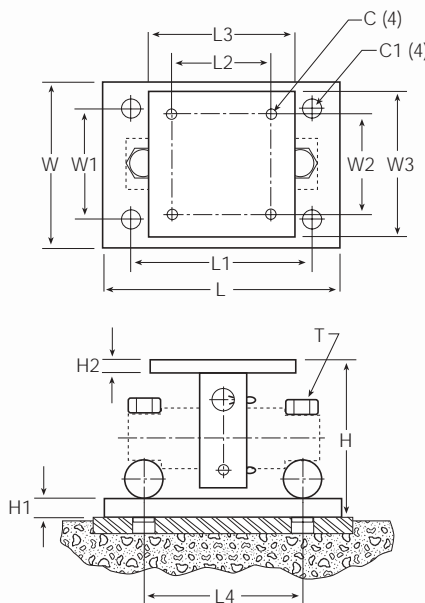


Options

- Stainless steel construction
- RL70000SS stainless steel, FM approved load cell
- RL71000HE stainless steel, FM approved, hermetically-sealed load cell (5000 – 60,000 lb)
- Revere Transducers Inc. 5103 tool steel load cell
- Revere Transducers Inc. 9103 stainless steel load cell



Capacities/Dimensions



	5000 lb – 20,000 lb	30,000 lb – 60,000 lb	100,000 lb	150,000 lb	200,000 lb – 250,000 lb
	inches/mm	inches/mm	inches/mm	inches/mm	inches/mm
C	.56/14.3	.68/17.3	.81/20.6	.81/20.6	1.06/26.9
C1	1.06/26.9	1.19/30.2	1.38/35.1	1.38/35.1	1.88/47.6
H	5.31/134.97	8.43/214.1	10.37/263.4	10.37/263.4	16.75/425.5
H1	.75/19.1	1.00/25.49	1.25/31.8	1.25/31.8	2.00/50.8
H2	.50/12.7	.75/19.1	1.25/31.8	1.25/31.8	2.00/50.8
L	11.00/279.4	15.00/381.00	18.00/457.2	18.00/457.2	26.00/660.4
L1	8.00/203.2	11.50/292.1	14.00/355.6	14.00/355.6	20.00/508.0
L2	3.00/76.2	5.12/130.0	7.50/190.5	7.50/190.5	9.00/228.6
L3	6.00/152.4	8.00/203.2	10.00/254.0	10.00/254.0	12.00/304.8
L4	6.87/174.5	8.50/215.9	9.50/241.3	9.50/241.3	13.00/330.2
T	5/8-18 UNF	1-14 UNS	1-14 UNS	1-14 UNS	1 1/2-12 UNS
W	7.50/190.5	10.00/254.00	12.00/304.8	12.00/304.8	12.00/304.8
W1	4.00/101.6	6.00/152.4	9.00/228.6	9.00/228.6	6.00/152.4
W2	3.00/76.2	5.12/130.1	7.50/190.5	7.50/190.5	9.00/228.6
W3	6.00/152.4	8.00/203.2	10.00/254.0	10.00/254.0	12.00/304.8

Your Rice Lake Weighing Systems distributor is:

RICE LAKE WEIGHING SYSTEMS
Industrial Solutions on a Global Scale®



230 West Coleman Street • Rice Lake, WI 54868 • USA
TEL: 715-234-9171 • FAX: 715-234-6967 • WEB SITE: www.rlws.com

© Rice Lake Weighing Systems 2002 PN22118 6/02
Specifications subject to change without notice. Consult Rice Lake for dimensional prints.